

Wall Grill Type SD

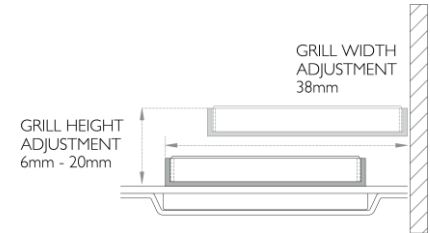
Installation Instructions

1. INTRODUCTION

The Wall Grill is height adjustable to suit different tile thicknesses.






There are sufficient fixings supplied to cope with tiles up to a thickness of 20mm, additional fixings are available upon request.

The grill also adjusts in width by up to 38mm




2. COMPONENTS

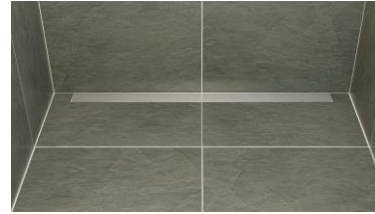


-  **A** 8 x 8mm
-  **F** 48 x 1mm
-  **B** 8 x 12mm
-  **G** 8 x 5mm
-  **H** Grill Removal Key

3. INSTALLATION

- 1 Take some time to consider the position of the grill relative to the layout of the room. Take particular care to ensure that any tile cuts are evenly spaced in relation to the grill. (fig i)
 - 2 Set aside the insert.
 - 3 Lightly fix the frame in place using the correct length screws (A) or (B) depending on the height of your grill (fig ii). Ensure the frame finishes up against the wall tile (fig iii)
Do not use screws which are too long as this will damage the Drain body
 - 4 Adjust the height of the frame using the 1mm (F) & 5mm (G) spacers, ensuring the top edge of the frame finishes 1mm lower than the tile. (fig ii)
 - 5 Where the grill length is over 660mm the ends of the frame should be supported using a solid bed of tile adhesive, ensuring there are no voids. (fig iv)
 - 6 Always tile using a water resistant S1 or C2 cementitious tile adhesive, meeting the requirements of BS EN 12004. The grout should be water resistant, meeting the requirements of BS EN 13888.
- To achieve the best appearance when tiling a wetroom it is recommended to use the drain as a set out point for the tiles and then work away from the drain.
- 7 To remove grill use the Grill Removal Key  to carefully lift the grill out of the frame.

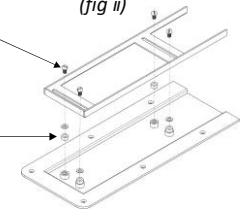
(fig i)



Ensure Correct Length (A) or (B) Screws are used

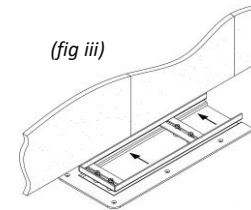
(fig ii)

Use 1mm (F) & 5mm (G) nylon spacers



(fig iii)

Slide frame to finish tight to the wall tile



Tile Adhesive

(fig iv)

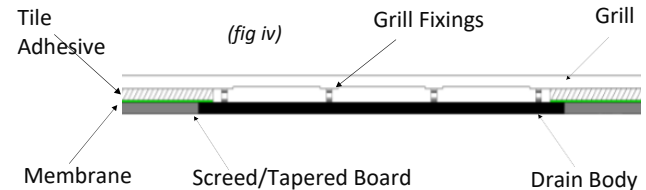
Grill Fixings

Grill

Membrane

Screed/Tapered Board

Drain Body



Wall Grill Type T8, T12, T20

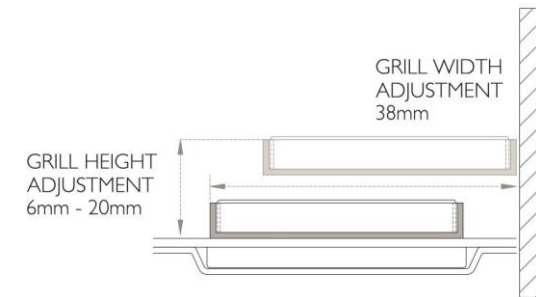
Installation Instructions

1. INTRODUCTION

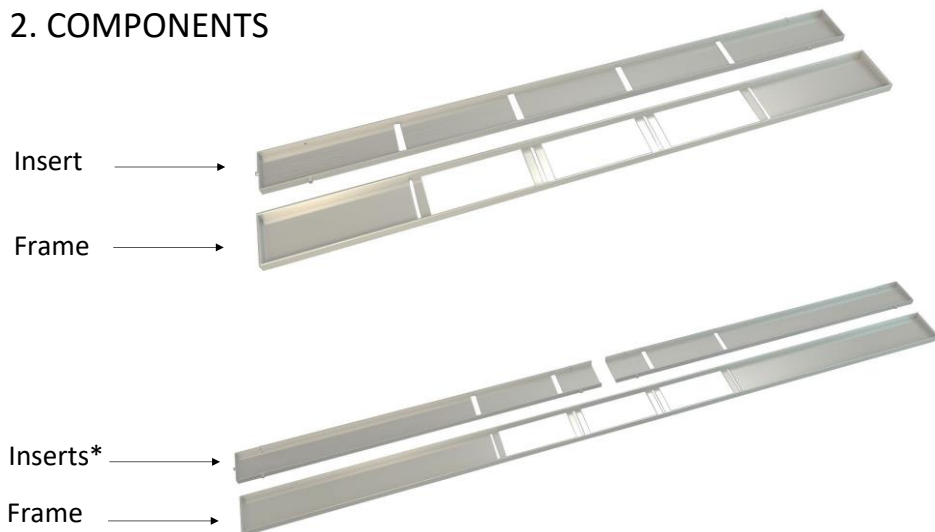
The Linear Wall Grill is height adjustable to suit different tile thicknesses.

There are sufficient fixings supplied to cope with tiles up to a thickness of 20mm. Additional fixings are available upon request.

The grill also adjusts horizontally by up to 38mm to allow for different wall tile thicknesses.



2. COMPONENTS



Ⓒ

8 x M5 x 10mm
Brass Screws



Ⓕ

48 x 1mm
Spacers



Ⓗ

1 x Grill Key



Ⓖ

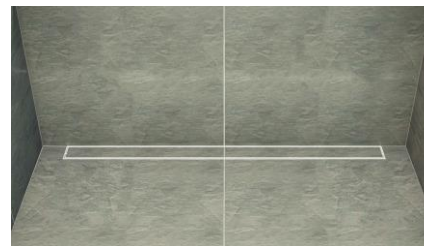
8 x 5mm
Spacers

***For grill lengths over 1500mm the insert is supplied in two equal sections**

3. INSTALLATION

1. Take some time to consider the position of the grill relative to the layout of the room. Take particular care to ensure that any tile cuts are evenly spaced in relation to the grill. (Fig i)
2. Set aside the insert
3. Lightly fix the frame in place using brass screws provided ©. (Fig ii)
Ensure at this point that it finishes up against the wall tile (Fig iii) and is lower than the tile thickness & adhesive bed. Final finished height adjustment will be achieved later.
4. When the floor tiles have been fixed into place, fine height adjustment of the frame can be achieved using the spacers ⑥ & © provided, ensuring the frame finishes approx 1mm below the floor tile edge.
5. Where the grill length is over 660mm, the ends of the frame should be supported using a solid bed of tile adhesive, ensuring there are no voids. (Fig iv)
6. Using the insert as a template, cut a matching piece of tile, allowing for the thickness of the grout lines and bond it into the insert using tile adhesive or a suitable alternative adhesive. Ensure the top of the tile finishes flush with the top of the insert. (Fig v) **NB – For grill lengths over 1500mm the insert is supplied in two equal sections and must be tiled separately.**
7. Always tile using a water resistant S1 or C2 cementitious tile adhesive, meeting the requirements BS EN 12004. Use a solid bed of adhesive on the floor with a water resistant grout, meeting the requirements of BS EN 13888.
8. To achieve the best appearance when tiling a wetroom it is recommended to use the drain as a set out point for the tiles and then work away from the drain, maintaining the 12mm fall.
9. To remove grill, use the Grill Removal Key ④ to carefully lift the grill out of the frame.

Fig i



© Brass Screw

⑥ 1mm Spacer

© 5mm Spacer

Fig ii

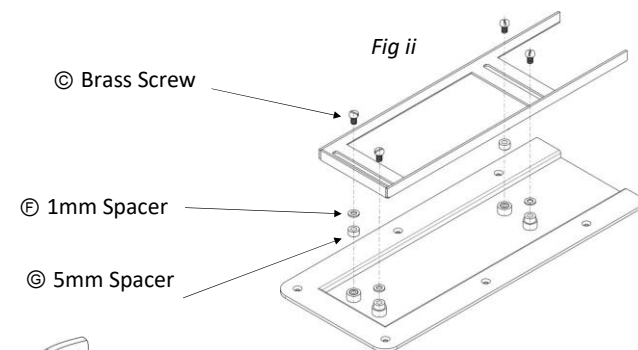
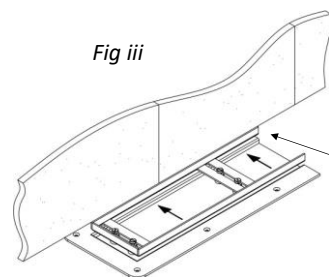


Fig iii



Slide frame to finish tight to the wall tile

Fig iv

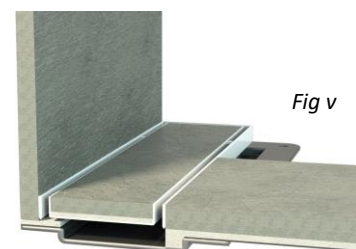
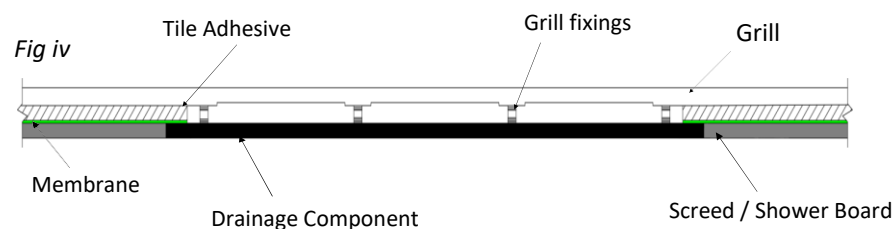


Fig v

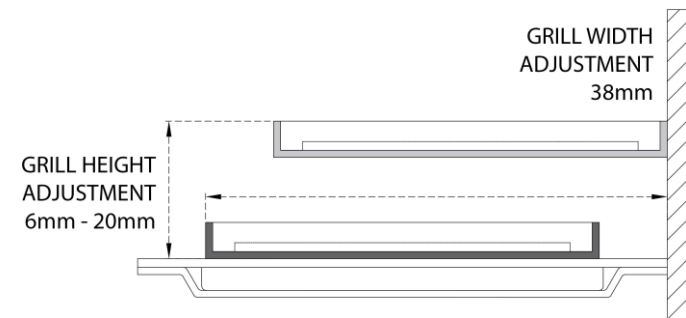
Frameless Wall Grill Installation Instructions

1. INTRODUCTION

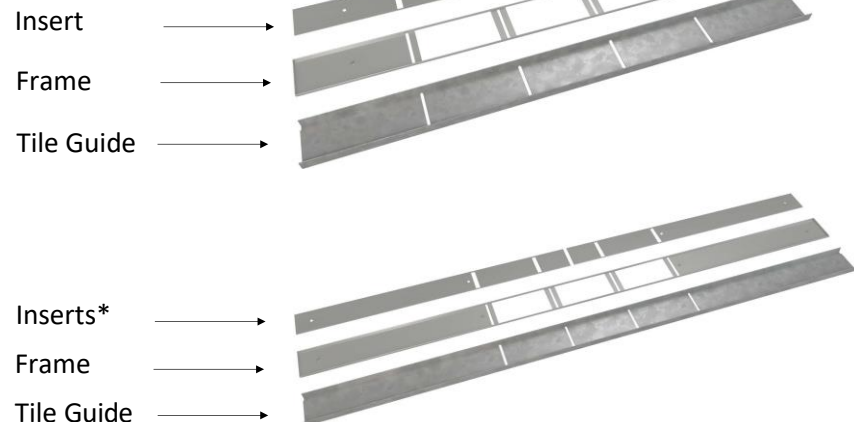
The Frameless Grill is height adjustable to suit different tile thicknesses.

There are sufficient fixings supplied to cope with tiles up to a thickness of 20mm, additional fixings are available upon request.

The Grill also adjusts horizontally by up to 38mm to allow for different wall tile thicknesses.



2. COMPONENTS



Ⓒ

8 x M5 x 10mm
Brass Screws



Ⓕ

48 x 1mm
Spacers



Ⓗ

1 x Grill Key



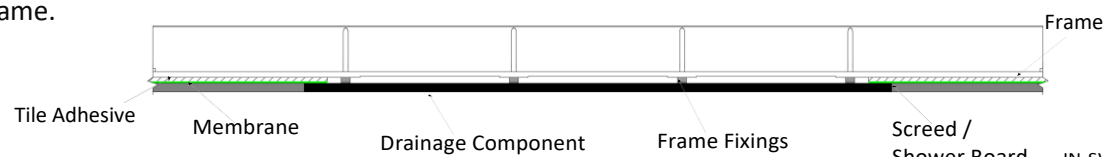
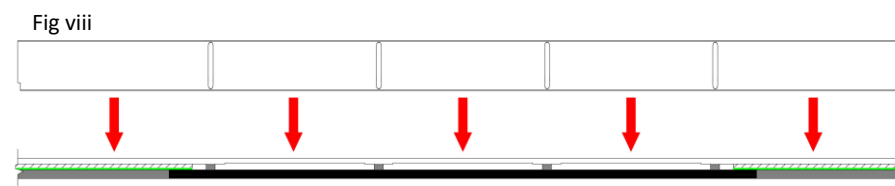
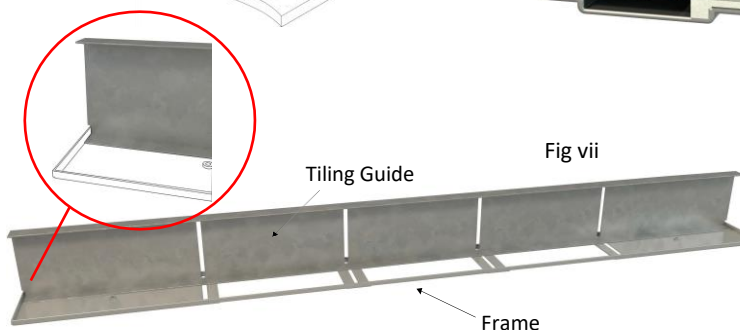
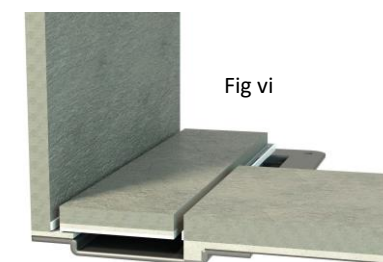
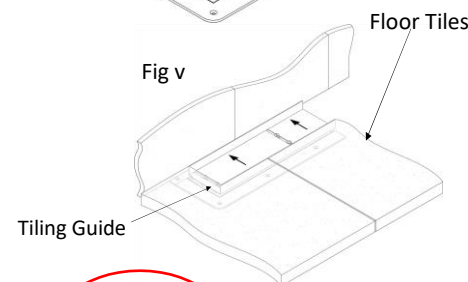
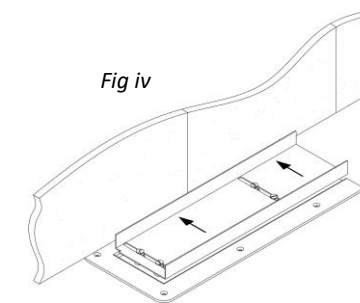
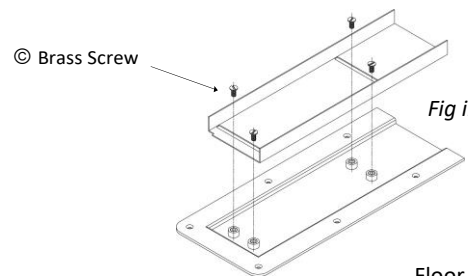
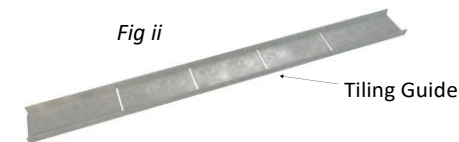
Ⓖ

8 x 5mm
Spacers

****For grill lengths over 1500mm, the insert is supplied in two equal sections***

3. INSTALLATION

1. Take some time to consider the position of the grill relative to the layout of the room. Take particular care to ensure that any tile cuts are evenly spaced in relation to the grill. (Fig i)
2. Set aside the Frame and Insert, as they will be used later. Only the Tiling Guide is required at this stage. (Fig ii)
3. Place the Tiling Guide into position and lightly fix into place using the Brass Screws © provided (keep Brass Screws for later use). (Fig iii)
4. Adjust the Tiling Guide by sliding it so the frame finishes up against the wall tile. (Fig iv)
5. Cut and fix floor tiles into position around the Tiling Guide, then work from the Tiling Guide outwards into the bathroom area and allow to set. (Fig v) Always tile using a water resistant S1 or C2 cementitious tile adhesive, meeting the requirements BS EN 12004. Use a solid bed of adhesive on the floor with a water resistant grout, meeting the requirements of BS EN 13888.
6. When the tiles have set, remove the Tiling Guide and place the Frame in position. Adjust to the required height using the spacers provided ⑥ & ⑦ (The floor Tile should finish flush with the Insert tile, Fig vi). When the required height has been achieved, fix the Frame into place using the Brass Screws provided ©.
7. Where the Grill length is over 660mm, the ends of the frame should be supported using a solid bed of tile adhesive, ensuring there are no voids. Once the frame is in the required position turn the tiling guide onto its side (fig vii), and use it to bed down the frame onto the tile adhesive by applying even pressure to both ends of the frame. (Fig viii)
8. Using the Insert as a template, cut a matching piece of tile, allowing for the 5mm perimeter gap around the tile and bond it into the Insert using tile adhesive or a suitable alternative adhesive. **NB – For Grill lengths over 1500mm the Insert is supplied in two equal sections and must be tiled separately.**
9. To achieve the best appearance when tiling a wetroom, it is recommended to use the drain as a set out point for the tiles and then work away from the drain, maintaining the 12mm fall.
10. To remove Insert use Grill Key ⑧ to carefully lift the Insert out of the Frame.



Floor Grill Type SD Installation Instructions

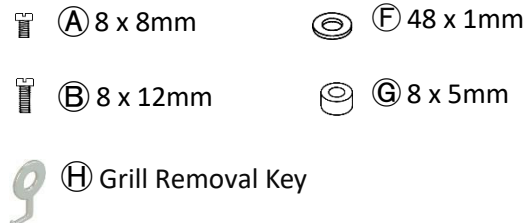
1. INTRODUCTION

The Floor Grill is height adjustable to suit different tile thicknesses.

There are sufficient fixings supplied to cope with tiles up to a thickness of 20mm. Additional fixings are available upon request.



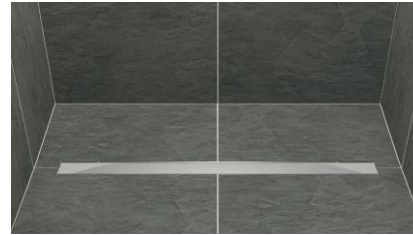
2. COMPONENTS



3. INSTALLATION

- 1 Take some time to consider the position of the grill relative to the layout of the room. Take particular care to ensure that any tile cuts are evenly spaced in relation to the grill. (fig i)
- 2 Set aside the insert.
- 3 Adjust the height of the frame using the 1mm (F) & 5mm (G) spacers, ensuring the top edge of the frame finishes 1mm lower than the tile. (fig ii)
- 4 When screwing the frame to the drain body, ensure you use the **correct length screws**, (A) or (B), depending on the tile thickness and the number of spacers used. Do not use screws that are too long as this will damage the drain body. (fig ii)
- 5 Where the grill length is over 600mm, the ends of the frame should be supported using a solid bed of tile adhesive, ensuring there are no voids. (fig iii)
- 6 Always tile using a water resistant S1 or C2 cementitious tile adhesive, meeting the requirements of BS EN 12004. The grout should be water resistant, meeting the requirements of BS EN 13888.
To achieve the best appearance when tiling a wetroom, it is recommended to use the drain as a set out point for the tiles and then work away from the drain.
- 7 To remove grill, use Grill Removal Key (H) to carefully lift the grill out of the frame.

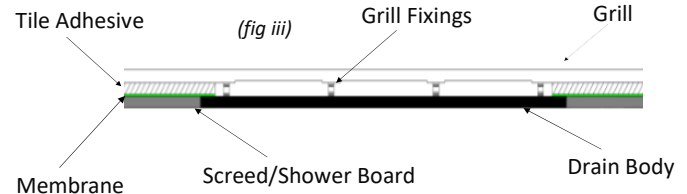
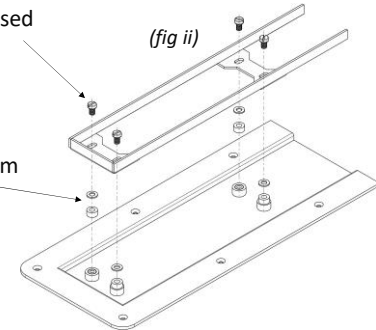
(fig i)



Ensure Correct Length (A)
or (B) Screws are used

Use 1mm (F) & 5mm
(G) nylon spacers

(fig ii)

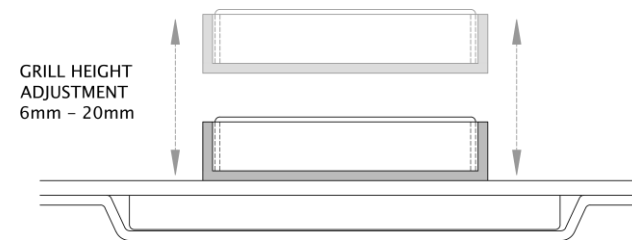


Floor Grill Type T8, T12, T20 Installation Instructions

1. INTRODUCTION

The Floor Grill is height adjustable to suit different tile thicknesses.

There are sufficient fixings supplied to cope with tiles up to a thickness of 20mm. Additional fixings are available upon request.



2. COMPONENTS



Ⓒ

8 x M5 x 10mm
Brass Screws



Ⓕ

48 x 1mm
Spacers



Ⓗ

1 x Grill Key



Ⓖ

8 x 5mm
Spacers

**For grill lengths over 1500mm, the insert is supplied in two equal sections*

3. INSTALLATION

1. Take some time to consider the position of the grill relative to the layout of the room. Take particular care to ensure that any tile cuts are evenly spaced in relation to the grill. (Fig i)
2. Set aside the insert
3. Lightly fix the frame in place using brass screws provided © (Fig ii) and ensure at this point that it finishes lower than the tile thickness & adhesive bed. Final finished height adjustment will be achieved later.
4. When the floor tiles have been fixed into place, fine height adjustment of the frame can be achieved using the spacers ⑥ & ⑦ provided, ensuring the frame finishes approx 1mm below the floor tile edge.
5. Where the grill length is over 600mm, the ends of the frame should be supported using a solid bed of tile adhesive, ensuring there are no voids. (Fig iii)
6. Using the insert as a template, cut a matching piece of tile, allowing for the thickness of the grout lines and bond it into the insert using tile adhesive or a suitable alternative adhesive. Ensure the top of the tile finishes flush with the top of the insert. (Fig iv) **NB – For grill lengths over 1500mm, the insert is supplied in two equal sections and must be tiled separately.**
7. Always tile using a water resistant S1 or C2 cementitious tile adhesive, meeting the requirements BS EN 12004. Use a solid bed of adhesive on the floor with a water resistant grout, meeting the requirements of BS EN 13888.
8. To achieve the best appearance when tiling a wetroom it is recommended to use the drain as a set out point for the tiles and then work away from the drain, maintaining the 12mm fall.
9. To remove grill, use the Grill Removal Key ⑧ to carefully lift the grill out of the frame.

Fig i



Fig ii

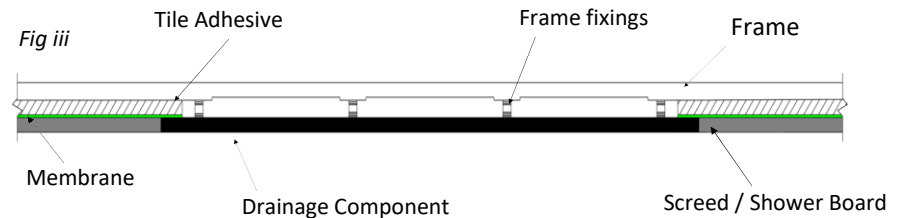
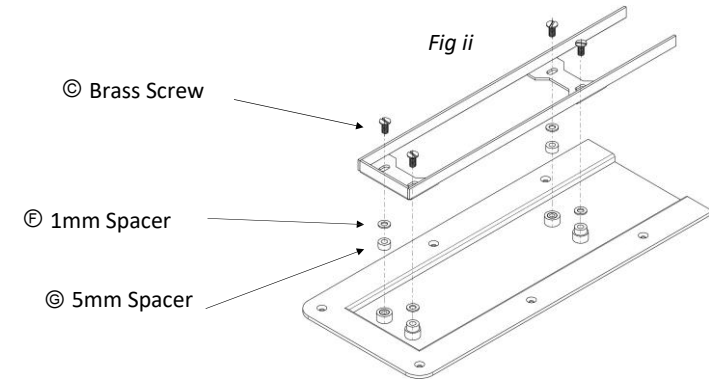
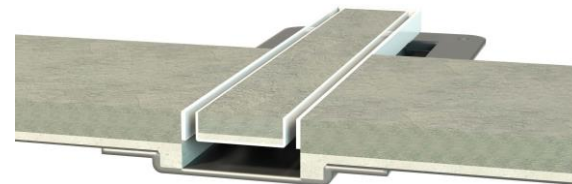


Fig iv

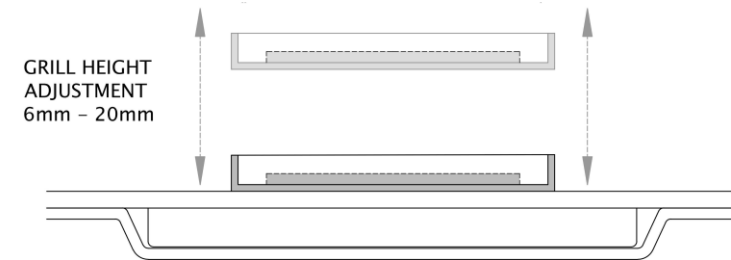


Frameless Floor Grill Installation Instructions

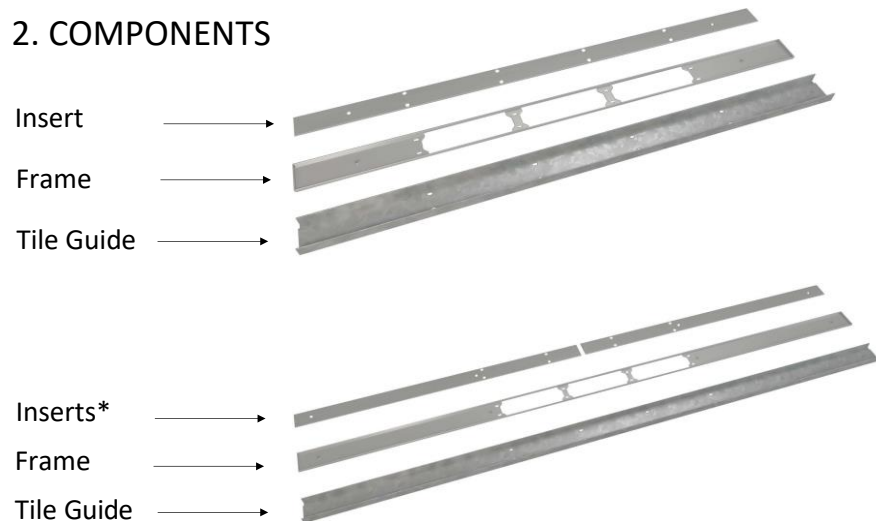
1. INTRODUCTION

The Frameless Grill is height adjustable to suit different tile thicknesses.

There are sufficient fixings supplied to cope with tiles up to a thickness of 20mm. Additional fixings are available upon request.



2. COMPONENTS



Ⓒ

8 x M5 x 10mm
Brass Screws



Ⓕ

48 x 1mm
Spacers



Ⓗ

1 x Grill Key



Ⓖ

8 x 5mm
Spacers

***For grill lengths over 1500mm, the insert is supplied in two equal sections**

3. INSTALLATION

1. Take some time to consider the position of the grill relative to the layout of the room. Take particular care to ensure that any tile cuts are evenly spaced in relation to the grill. (Fig i)
2. Set aside the Frame and Insert, as they will be used later. Only the Tiling Guide is required at this stage. (Fig ii)
3. Place the Tiling Guide into position and lightly fix into place using the Brass Screws © provided (keep Brass Screws for later use). (Fig iii)
4. Cut and fix floor tiles into position around the Tiling Guide, then work from the Tiling Guide outwards into the bathroom area and allow to set. (Fig iv) Always tile using a water resistant S1 or C2 cementitious tile adhesive, meeting the requirements BS EN 12004. Use a solid bed of adhesive on the floor with a water resistant grout, meeting the requirements of BS EN 13888.
5. When the tiles have set, remove the Tiling Guide and place the Frame in position. Adjust to the required height using the spacers provided ☉ & ☉ (The floor Tile should finish flush with the Insert tile, Fig v). When the required height has been achieved, fix the Frame into place using the Brass Screws provided ☉.
6. Where the Grill length is over 660mm the ends of the frame should be supported using a solid bed of tile adhesive, ensuring there are no voids. Once the frame is in the required position, turn the tiling guide onto its side (fig vi) and use it to bed down the frame onto the tile adhesive by applying even pressure to both ends of the frame. (Fig vii)
7. Using the Insert as a template, cut a matching piece of tile, allowing for the 5mm perimeter gap around the tile and bond it into the Insert using tile adhesive or a suitable alternative adhesive. **NB – For Grill lengths over 1500mm the Insert is supplied in two equal sections and must be tiled separately.**
8. To achieve the best appearance when tiling a wetroom it is recommended to use the drain as a set out point for the tiles and then work away from the drain, maintaining the 12mm fall.
9. To remove Insert, use the Grill Key ☉ to carefully lift the Insert out of the Frame.

